

TigerStop LLC

Bat House Plans



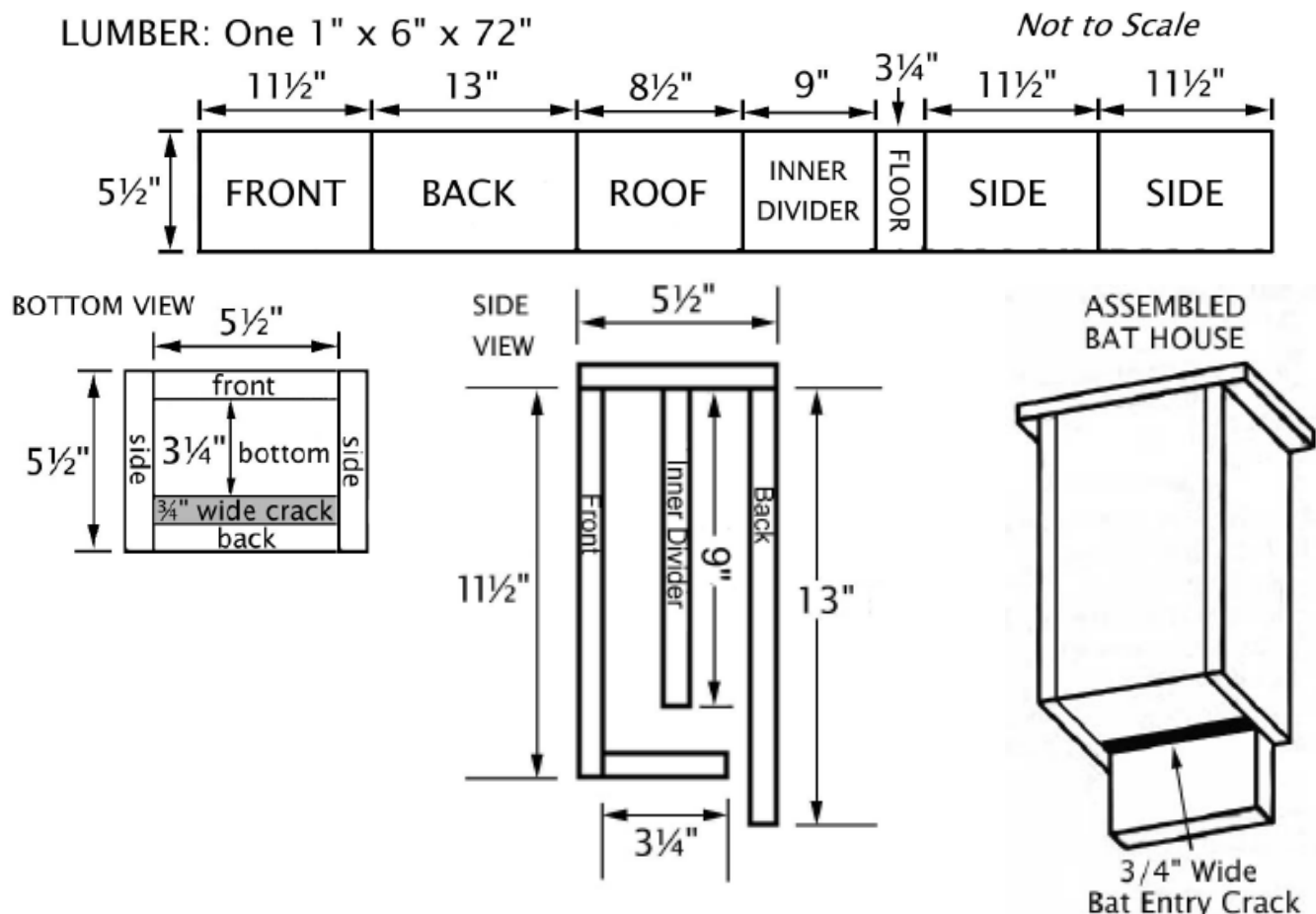
With TigerStop®, cutting out and building this nifty Bat House is a snap! This example will demonstrate how a single board of raw lumber can be processed quickly, accurately, and efficiently with TigerStop.

Using a board of 1" x 6" x 72" as the stock, program your TigerStop in pattern mode with the following lengths in this sequence:
11.5" – 13" – 8.5" – 9" – 3.25" – 11.5" – 11.5"

You will have programmed the saw kerf value into the TigerStop controller, so that your lengths will be accurate.

The diagrams below show the bottom and side views of the bat house, as well as the appearance of the finished product, which can be quickly assembled with nails. Your bats will be happy with their new home, and you'll be even happier with your TigerStop!

You can find this cutlist in your new controller under program 42.



Bat Facts Sheet

From the deserts to the rain forests and your backyard, more than 1,100 varieties of bats account for 1/4th of all mammal species on earth.

Feeding on a variety of sources, such as beetles, moths, leafhoppers and other insects, bats help keep vast numbers of night-flying insect in balance.

Bats can eat 1,200 bugs in an hour -sometimes 2 per second. Bats also hunt down mosquitoes in our own yards.

In a single night a colony of bats can eat as much as 6 fully loaded concrete trucks or 50 Asian Elephants -OR -20 tons of insects.

Many varieties of bats consume and pollinate a wide range of plants such as bananas, mangos, peaches, cloves and dates.

Bats, in some tropical areas, account for 98% of the early reforestation in clear cut areas.

Up to 450 commercial products ranging from dyes to medicine come from bat dependent plants.

Bats are meticulous groomers and are one of the cleanest animals on earth.

Bats bite only as a defensive response -so please do not handle them. Simply left alone, they will remain an important environmental ally.

Over half of the United States 45 species of bats are now endangered. Education is the first fine of action in preserving this invaluable resource. The internet has more information on bats conservation projects.